

Copyright © 2017 by Big Bike Parts, Inc. No part of this instruction sheet may be reproduced without the written permission of Big Bike Parts, Inc.

PART NO. 91-316

SMART MOUNT DRIVERS BACKREST

FITMENT: HARLEY-DAVIDSON FLH 1988-NEWER

7/24/2017

TOOLS NEEDED:	1/8" ALLEN WRENCH	3/16" ALLEN WRENCH	4MM ALLEN WRENCH	5MM ALLEN WRENCH	7/16 WRENCH
	13MM WRENCH	REMOVABLE THREAD LOCK	SCISSORS	TAPE MEASURE	

WARNING

BACKREST IS DESIGNED TO SUPPORT RIDERS LOWER BACK WHEN RIDING. DO NOT APPLY EXCESSIVE FORCE BY PUSHING BACK WITH YOUR FULL BODY WEIGHT. DO NOT USE BACKREST TO LIFT OR SUPPORT MOTORCYCLE.

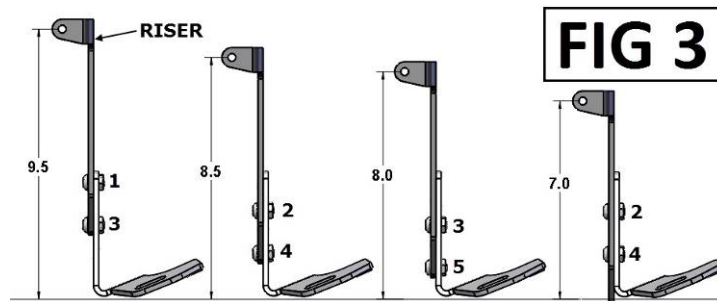
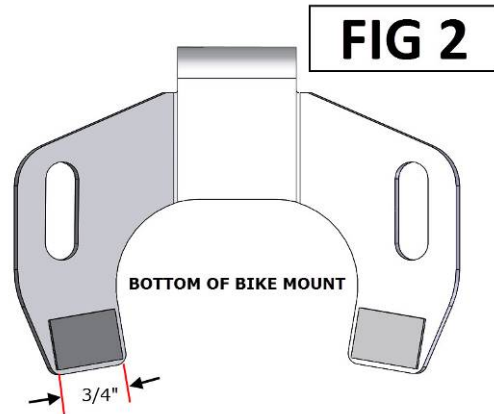
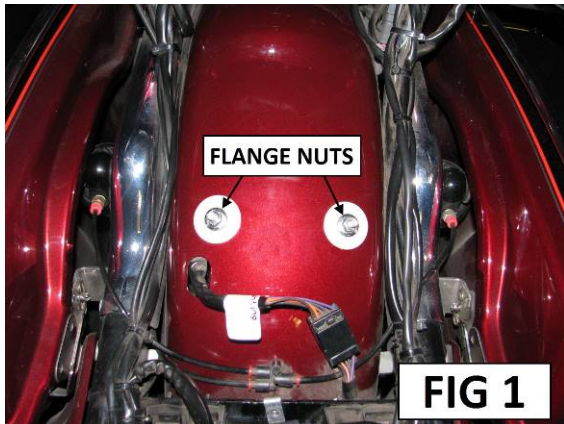
PLEASE READ THROUGH AND UNDERSTAND THESE INSTRUCTIONS BEFORE BEGINNING.

USE A REMOVABLE THREAD LOCK ON ALL FASTENERS

ESTIMATED INSTALLATION TIME: 20 TO 30 MIN.

INSTALLATION:

- MEASURE THE DISTANCE FROM THE TOP OF BACKREST HOLE IN THE SEAT TO THE FENDER ON THE BACK SIDE OF THE HOLE IN THE SEAT. WRITE DOWN THE MEASUREMENT FOR LATER.
- REMOVE THE BOLT AT THE REAR OF THE PASSENGER SEAT THAT CONNECTS TO THE REAR FENDER AND LIFT THE SEAT OFF TO REMOVE IT.
- USING A 7/16" WRENCH REMOVE THE TWO FLANGE NUT SHOWN IN FIG. 1. DO NOT REMOVE THE LARGE PLASTIC WASHER.
- REMOVE THE RUBBER STRIP FROM THE HARDWARE PACK THAT CAME WITH THE KIT. USING A SCISSORS CUT TWO 3/4" LONG PIECES.
- REMOVE THE MASKING FROM EACH 3/4" LONG STRIP AND ATTACH THEM TO THE BOTTOM OF THE BIKE MOUNT AS SHOWN IN FIG. 2.
- INSTALL THE TWO M8 X 14MM SCREWS INTO THE BIKE MOUNT. USE FIG 3. AND THE MEASUREMENT FROM STEP 1 TO DETERMINE WHICH SET OF MOUNTING HOLES TO USE FOR YOUR SEAT. YOU WANT THE TOP HOLES IN THE RISER TO BE ABOUT 1" ABOVE THE TOP OF THE SEAT WHEN INSTALLED.
- USE THE RISER AS SHOWN IN FIG. 4 TO SET THE HEIGHT OF THE M8 X 14MM SCREWS. INSTALL THE TWO M8 JAM NUTS ON THE BACK SIDE OF THE BIKE MOUNT. ADJUST THE SCREWS SO THAT THEY ARE CLOSE TO THE THICKNESS OF THE RISER BUT CAN STILL REMOVE THE RISER EASILY.
- INSTALL THE BIKE MOUNT ON THE BIKE AS SHOWN IN FIG. 5. BUT DO NOT TIGHTEN YET.
- PLACE THE SEAT BACK ON THE BIKE. LOOK INTO THE BACKREST HOLE ON THE SEAT AND LOCATE THE BIKE MOUNT. THE FRONT SIDE OF THE BIKE MOUNT NEEDS TO LINE UP THE BACK EDGE OF THE BACKREST HOLE ON THE SEAT. SEE FIG. 6. REMOVE THE SEAT AND ADJUST THE MOUNT AS NEEDED AND THEN TIGHTEN THE TWO FLANGE NUTS. REINSTALL THE SEAT AND THE SEAT BOLT AND TIGHTEN.
- ASSEMBLE THE ADJUSTMENT PLATE TO THE RISER AS SHOWN IN FIG. 7.
- ASSEMBLE THE RISER AND BACKREST PAD AS SHOWN IN FIG. 8. NOTE: SOME OF THE HARDWARE KIT WILL NOT GET USED FOR THIS APPLICATION.
- ATTACH THE RISER TO THE BIKE MOUNT.
- USING THE ADJUSTMENT PLATE AND THE HOLES IN THE TOP BRACKET ADJUST THE PAD TO YOUR DESIRED POSITION.



HARLEY-DAVIDSON FLH SMART MOUNT

